

Flow+ Single Flapper Wafer Check Valve

TECHNICAL SPECIFICATIONS

Inexpensive reduced port check valve used in applications where...

Media is clean (abrasives are not present) such as:

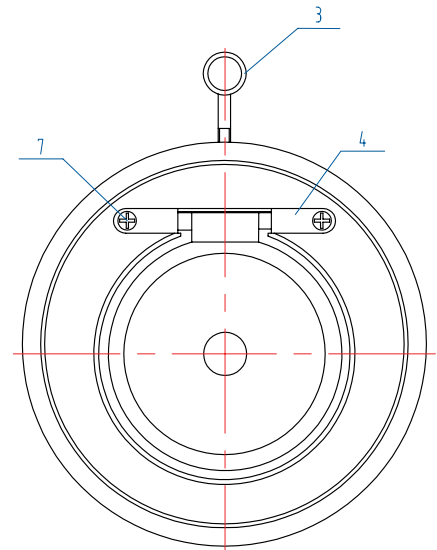
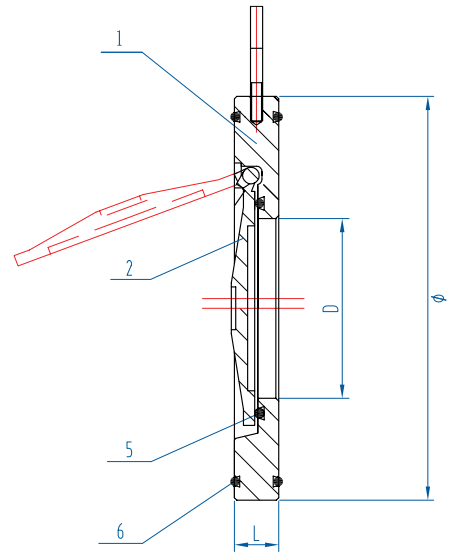
- Freshwater
- All kinds of oil
- Seawater
- Acid
- Sewage
- Alkali

TEMPERATURE

Viton: -23° C to 150° C

MATERIALS OF CONSTRUCTION

1. Body CF8M
2. Disc CF8M
3. Flying-Rings Carbon Steel
4. Baffle 316SS
5. O-Ring Viton
6. O-Ring Viton
7. Screw 316SS



Size	L		Ø ANSI 125/150	Weight
	CL150	D		
2"	19	32	104	-
2-1/2"	19	40	124	-
3"	19	54	136	-
4"	19	70	174	-
5"	19	92	196	-
6"	19	114	222	-
8"	29	154	279	-
10"	29	200	340	-
12"	38	235	410	-
14"	44	280	451	-
16"	51	316	514	-
18"	60	360	546	-
20"	64	405	603	-
24"	70	486	714	-