



# *Valve Position Monitor*



**FLOW+**  
Quality Valves at Low Cost

# Valve Position Monitor

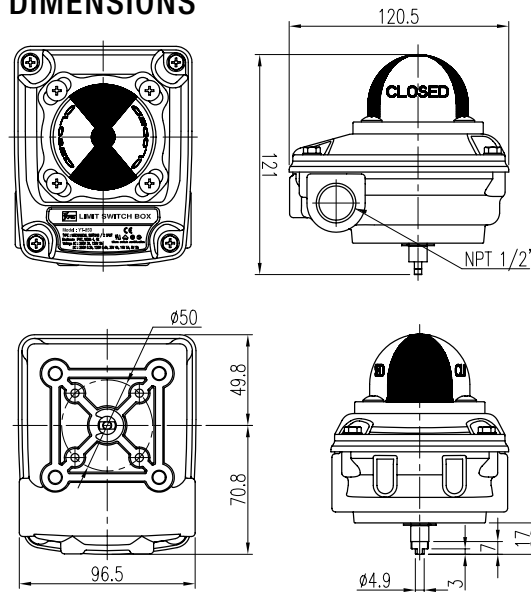
FL31000: Weatherproof, Compact and Durable

## FEATURES OF THE FL31000

- Solid and compact design.
- Weatherproof and corrosion resistant, NEMA 4, 4X, IP67 enclosure.
- Captive stainless steel cover bolts.
- Bolt on green/red position indicator.
- Quick-sets, spring loaded, splined cams.
- Requires no tools for adjustments.
- Dual 1/2" conduit entries and 8 point terminal strip to allow for mounting and wiring of solenoid valve.
- Qty 2 OMRON SPDT mechanical switches rated at 5 amps at 120 VAC / 4 amps at 30 VDC.  
*Other switches are available on request.*
- Approvals: UL, CSA, SEMKO and SEV EN61058-1.



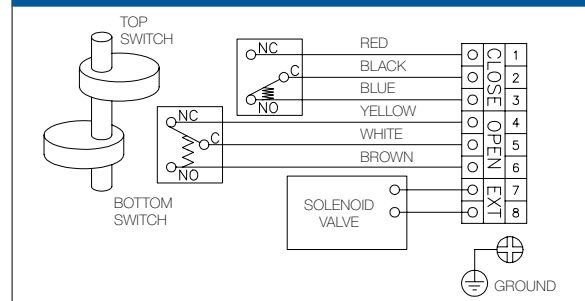
## DIMENSIONS



## MATERIALS OF CONSTRUCTION

Housing Cover/Body .....	Polyester Painted Aluminium
Shaft .....	Stainless Steel
Indicator Cover .....	Polycarbonate
Indicator .....	ABS/Polycarbonate
Cam .....	Polycarbonate
Spring .....	Stainless Steel
Housing Cover Bolt .....	Captive Stainless Steel
O-Ring .....	NBR
Bushing .....	Bronze
E-Ring (Shaft) .....	Stainless Steel
Ground Lug .....	Stainless Steel
Bracket .....	Stainless Steel

## Wiring diagram for 2 SPDT Mechanical Switch



## CONTACT INFORMATION

Your local Sales Representative: